

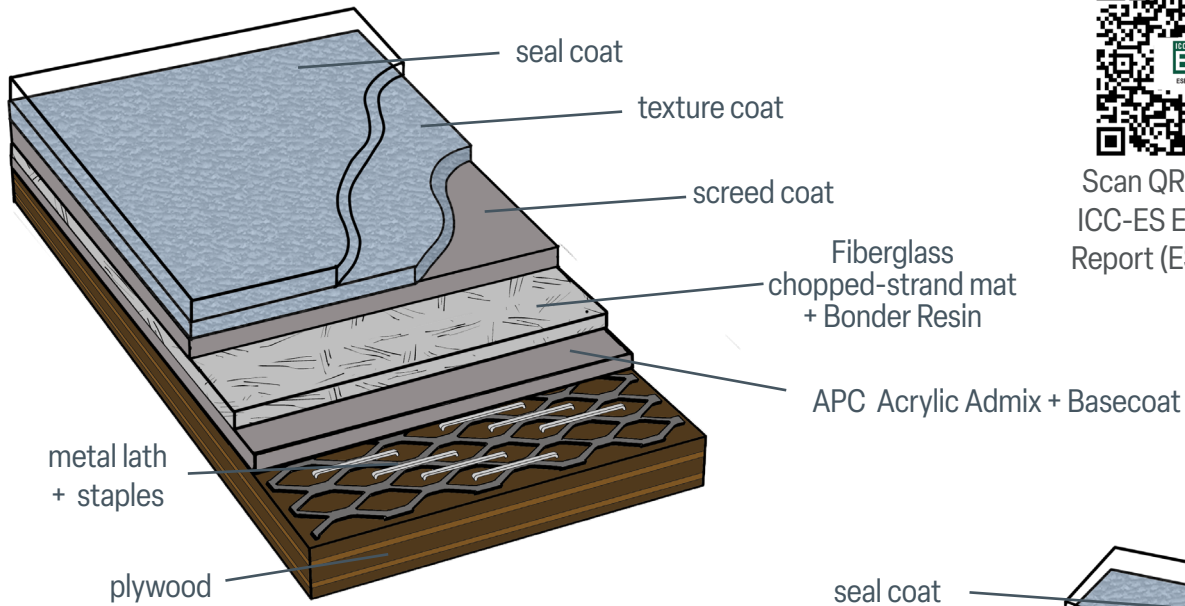


**WATERPROOFING &
CONCRETE OVERLAY**

apc systems

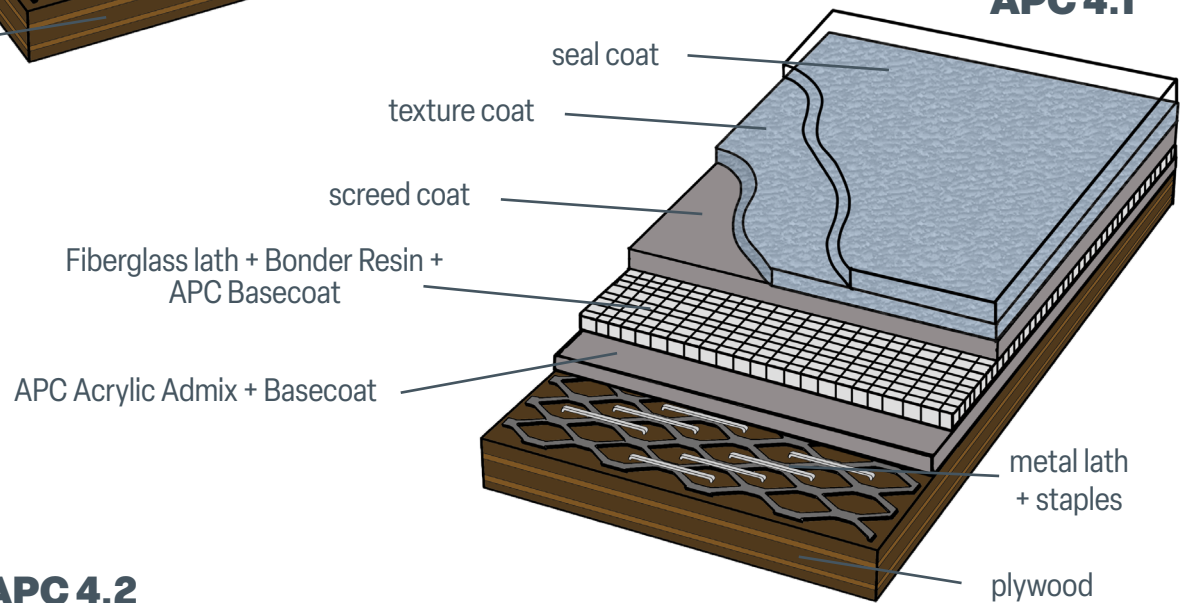
Upgrade your outdoor spaces with beautiful and low-maintenance **KRETUS® WATERPROOFING AND CONCRETE OVERLAY APC SYSTEMS**. These systems use resilient APC (Acrylic Polymer Concrete) and Acrylic Sealer to create stunning textured finishes in a variety of longlasting colors.

WPD 2.1 (ICC-ES Evaluated)

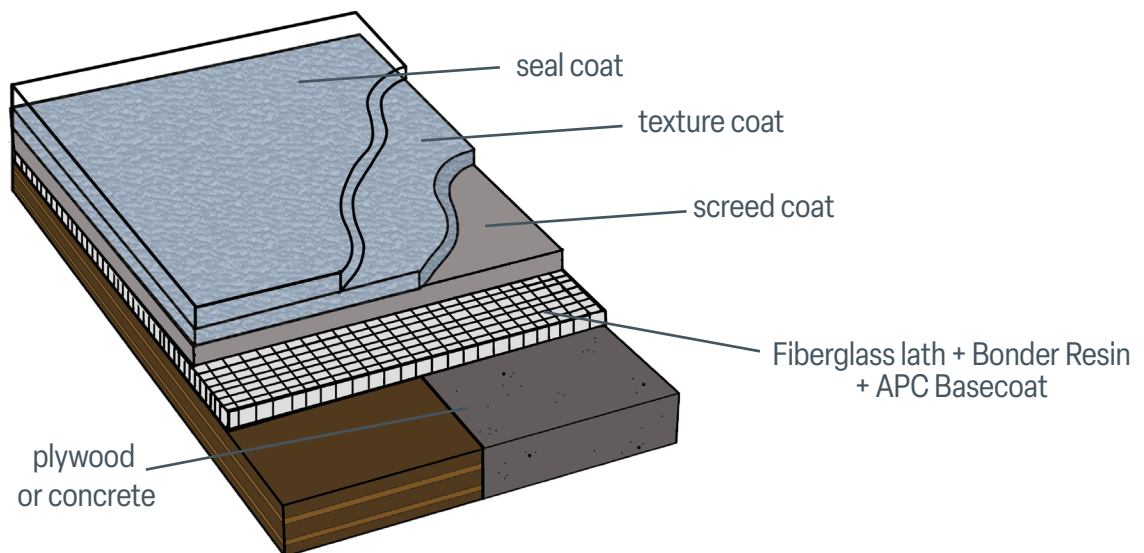


Scan QR code for ICC-ES Evaluation Report (ESR-4448)

APC 4.1



APC 4.2





DECORATIVE FINISHES

The following decorative finishes can be achieved based on the installer's technique and coating selection:



**KNOCKDOWN
TEXTURE**



**TAPE
PATTERN**



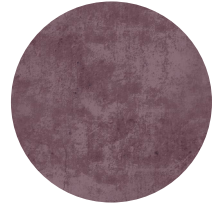
**SKIP
TROWEL**



**BROOM
FINISH**



**SAND
FINISH**



STAIN



POPULAR COLORS



SEA BLUE



MOSS



LAGOON



CHARCOAL



STORM



STEEL



SOLDIER



BEACHWOOD



SAHARA



SPHYNX



SAND



DRIFTWOOD

Colors shown are approximate and sold as WB Colorant. See the color chart for more options at kretus.com/color-charts.

THOUGHTFULLY DESIGNED COATINGS



Our adaptable coatings give skilled contractors the ability to meet client's needs under ever-changing environments, budgets, and deadlines.

Hygienic Walls, Floors & Ceilings For

- Employee Service Facilities
- Freezer & Cold Storage
- Loading Docks
- Maintenance Areas
- Production Floors
- Test Kitchens
- Warehousing
- Wastewater Treatment

Decorative and Functional Systems

- Color Chip
- Color Quartz
- Color Splash
- concrete priming, polishing, and patching
- crack and joint repair
- EcoMagnetic™
- ESD (Static Control)
- Industrial Sand
- moisture mitigation
- Terrazzo
- Top Shelf® Metallic

Water- and Solvent-based Coatings

- Acrylic Polymer Concrete
- Acrylic Sealers
- Aliphatic MC
- EcoMagnetic™
- Hydrothane
- Polyaspartic*
- Polyurethane*
- Top Shelf® Epoxy*
- Urethane Polymer Concrete*
- WB Epoxy*

*modular product lines have mix-and-match components



Scan code for
kretus.com/
waterproofing-
and-concrete
-overlays

General Questions | 714.694.2061 | info@kretus.com
Technical Questions | Samet Dy - 860.480.7978 - samet@kretus.com | Michael Mulnix - 916.757.4075 - michael@kretus.com
Distributed by Jon-Don | 1.800.400.9473 | jondon.com