



# WATERPROOFING & CONCRETE OVERLAY

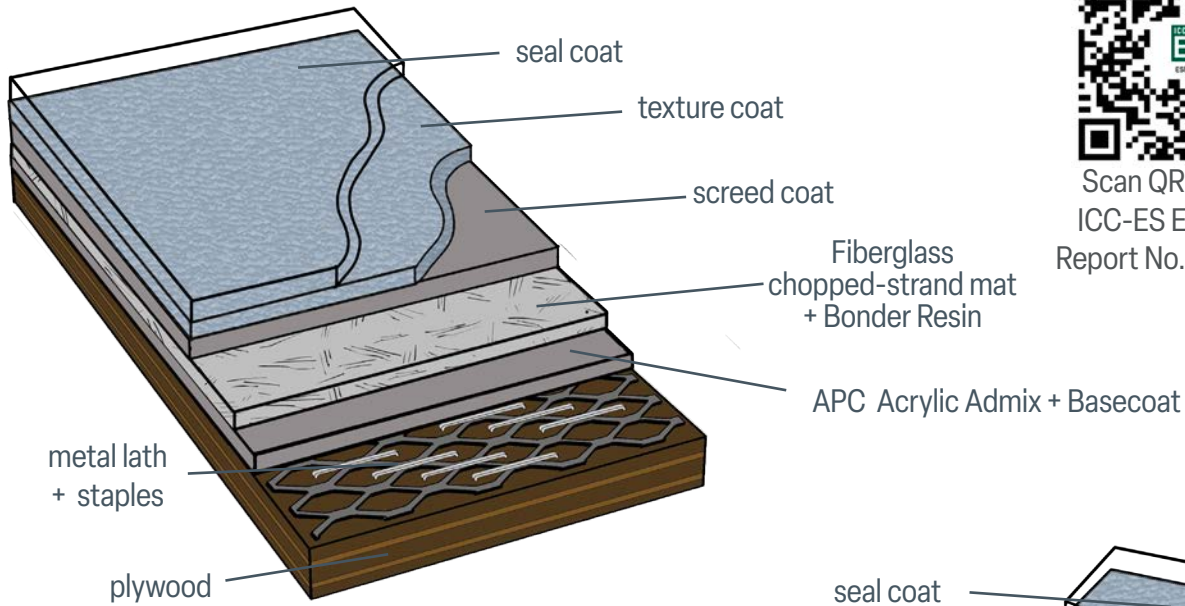
*apc systems*

Upgrade your outdoor spaces with beautiful and low-maintenance **KRETUS® WATERPROOFING AND CONCRETE OVERLAY APC SYSTEMS**. These systems use resilient APC (Acrylic Polymer Concrete) and Acrylic Sealer to create stunning textured finishes in a variety of longlasting colors.

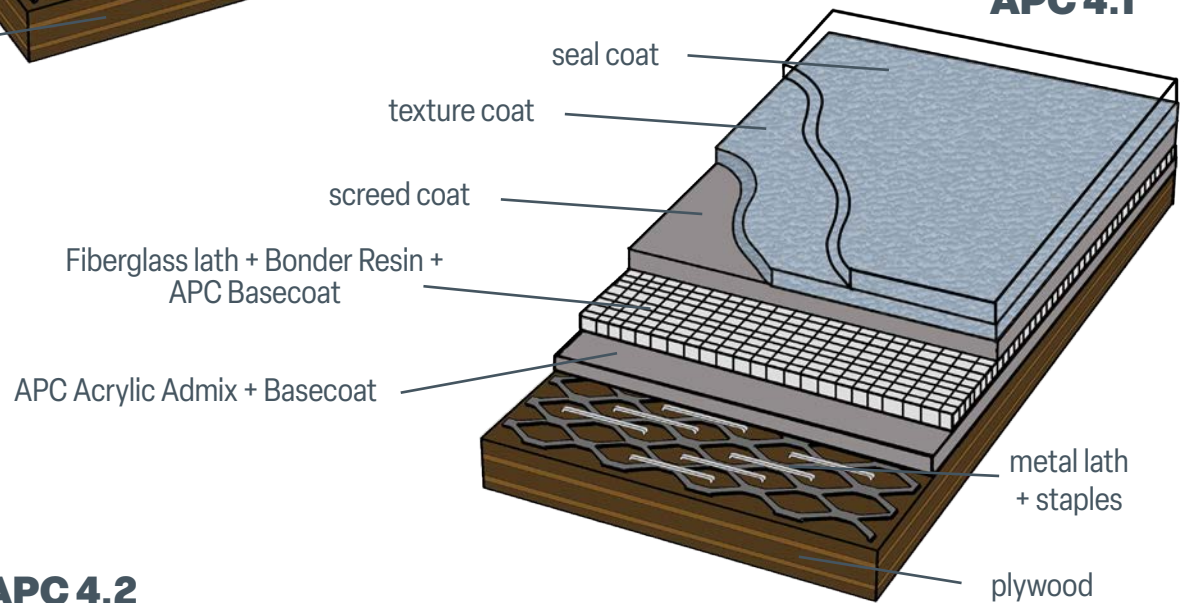
### WPD 2.1 – ICC-ES Evaluated



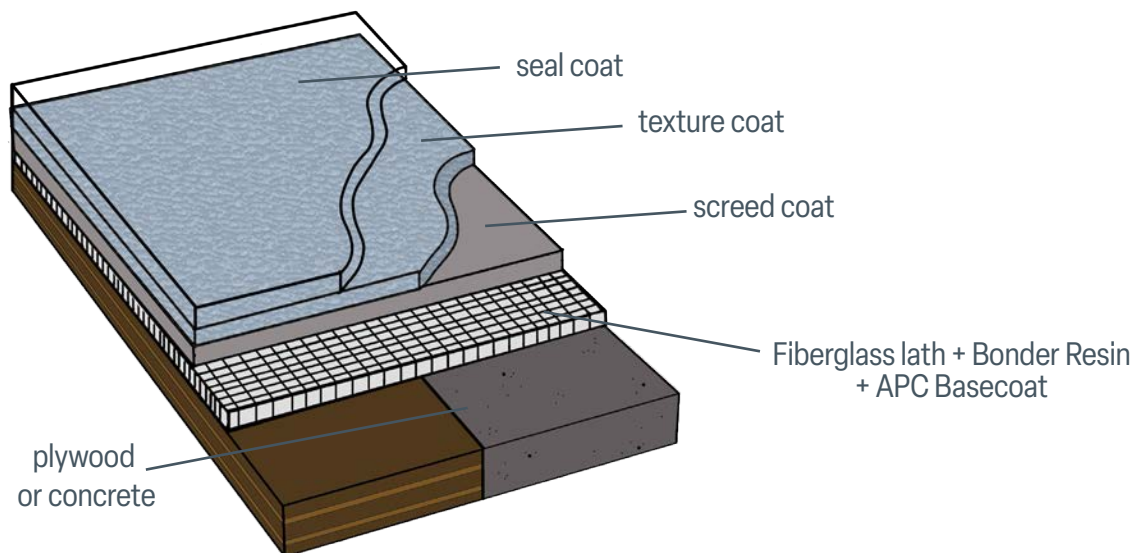
Scan QR code for  
ICC-ES Evaluation  
Report No. ESR-4448



### APC 4.1



### APC 4.2







## DECORATIVE FINISHES

The following decorative finishes can be achieved based on the installer's technique and coating selection:



**KNOCKDOWN  
TEXTURE**



**TAPE  
PATTERN**



**SKIP  
TROWEL**



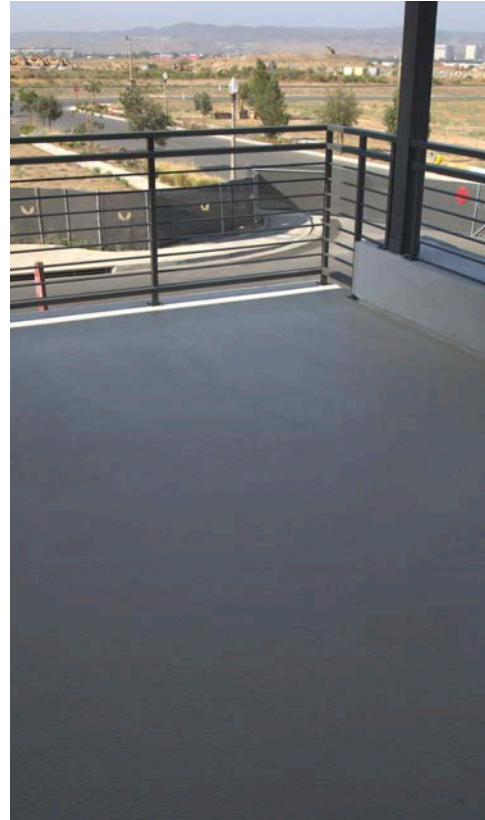
**BROOM  
FINISH**



**SAND  
FINISH**



**STAIN**



## POPULAR COLORS



**SEA BLUE**



**MOSS**



**LAGOON**



**CHARCOAL**



**STORM**



**STEEL**



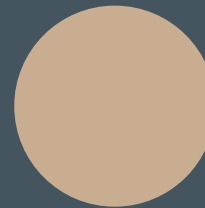
**SOLDIER**



**BEACHWOOD**



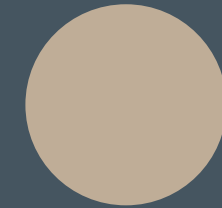
**SAHARA**



**SPHYNX**



**SAND**



**DRIFTWOOD**

Colors shown are approximate and sold as WB Colorant. See the color chart for more options at [kretus.com/color-charts](http://kretus.com/color-charts).

# THOUGHTFULLY DESIGNED COATINGS



Our adaptable coatings give skilled contractors the ability to meet client's needs under ever-changing environments, budgets, and deadlines.

## Hygienic Walls, Floors & Ceilings For

- Employee Service Facilities
- Freezer & Cold Storage
- Loading Docks
- Maintenance Areas
- Production Floors
- Test Kitchens
- Warehousing
- Wastewater Treatment

## Decorative and Functional Systems

- Color Chip
- Color Quartz
- Color Splash
- concrete priming, polishing, and patching
- crack and joint repair
- EcoMagnetic™
- ESD (Static Control)
- Industrial Sand
- moisture mitigation
- Terrazzo
- Top Shelf® Metallic

## Water- and Solvent-based Coatings

- Acrylic Polymer Concrete
- Acrylic Sealers
- Aliphatic MC
- EcoMagnetic™
- Hydrothane
- Polyaspartic\*
- Polyurethane\*
- Top Shelf® Epoxy\*
- Urethane Polymer Concrete\*
- WB Epoxy\*

\*modular product lines have mix-and-match components



Scan code for  
kretus.com/  
waterproofing-  
and-concrete  
-overlays

General Questions | 714.694.2061 | info@kretus.com  
 Technical Questions | Samet Dy - 860.480.7978 - samet@kretus.com | Michael Mulnix - 916.757.4075 - michael@kretus.com  
 Distributed by Jon-Don | 1.800.400.9473 | jondon.com